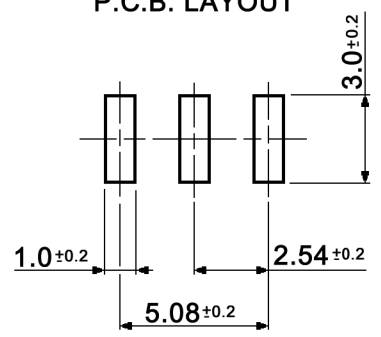


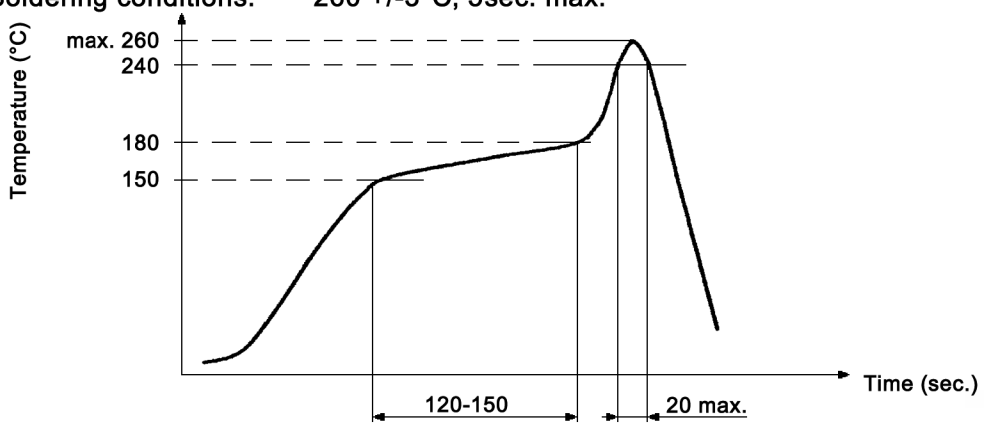
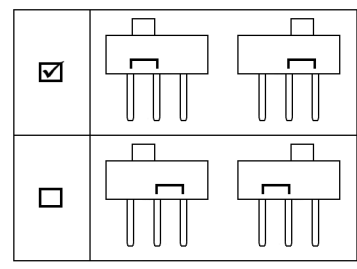
P.C.B. LAYOUT



Specifications:

- Contact rating: 0.2A, 24V; 0.5A, 12V
- Contact resistance: 50mOhm max.
- Insulation resistance: 10 000MOhm min. at 500V DC
- Dielectric strength: 500V AC for 1 minute (2mA)
- Operating temperature: -40°C to +105°C
- Storage temperature: -40°C to +105°C
- Mechanical life: 5 000 cycles
- Operating force: 800gf max.
- Packing: 53 pcs. / tube
- Soldering conditions: 260 +/-3°C, 5sec. max.

CONFIGURATION



Compliance: RohS III (2015/863/EU)

| | | | | |
|--|-------|-------|-----------------------|-----------------------|
| Tolerances: 0 - 1: ±0.1mm 1 - 4: ±0.3mm 4 - 16: ±0.5mm | | Date | Name | <h1>MMS 1010 D-R</h1> |
| | | 01/03 | us | |
| | | | | |
| | | | | |
| Circuit | 07/22 | dr | | <h2>30 03 42</h2> |
| Temperatures | 06/16 | dr | | |
| Operating temperature | 01/13 | dr | knitter-switch | |
| Revised | 02/12 | dr | | |
| Modifications | Date | Name | | Page 1/2 |

Material:

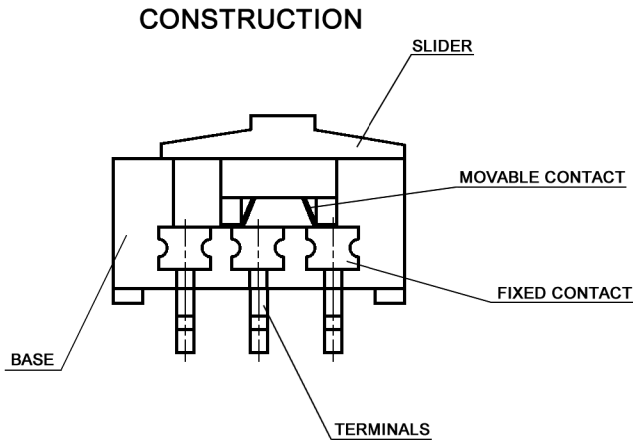
Case: PA9T glass reinforced nylon, black

Slider: PA46 glass reinforced nylon, ivory

Terminals: brass, 0.075µm gold plated over 1µm nickel

Fixed contact: brass, 0.075µm gold plated over 1µm nickel

Movable contact: phosphor bronze, 0.125µm gold plated over 1µm nickel



Compliance: RohS III (2015/863/EU)

| | | | |
|--|-------|------|-------------------------|
| Tolerances: 0 - 1: ±0.1mm 1 - 4: ±0.3mm 4 - 16: ±0.5mm | Date | Name | <h1>MMS 1010 D-R</h1> |
| | 01/03 | us | |
| | | | |
| | | | |
| Circuit | 07/22 | dr | <h2>30 03 42</h2> |
| Temperatures | 06/16 | dr | |
| Operating temperature | 01/13 | dr | <h3>knitter-switch</h3> |
| Revised | 02/12 | dr | |
| Modifications | Date | Name | Page |
| | | | 2/2 |